



US 20160075463A1

(19) **United States**

(12) **Patent Application Publication**
Hollander

(10) **Pub. No.: US 2016/0075463 A1**

(43) **Pub. Date: Mar. 17, 2016**

(54) **MULTIPLE PURPOSE CONTAINER AND DECORATIVE ITEM**

Publication Classification

(71) Applicant: **Milton B. Hollander**, Stamford, CT (US)

(51) **Int. Cl.**
B65D 1/02 (2006.01)
B65D 23/00 (2006.01)
B65D 41/02 (2006.01)

(72) Inventor: **Milton B. Hollander**, Stamford, CT (US)

(52) **U.S. Cl.**
CPC **B65D 1/0223** (2013.01); **B65D 41/02** (2013.01); **B65D 23/003** (2013.01)

(21) Appl. No.: **14/945,695**

(57) **ABSTRACT**

(22) Filed: **Nov. 19, 2015**

A multiple purpose container and decorative item includes a container portion and a cap portion affixed to the container portion. The container portion is configurable in color, shape and size, and includes an interior cavity configured to contain a predetermined volume of a product of interest disposed therein. The cap portion is configured to seal and unseal the interior cavity and provide storage of and repeatable access to the product of interest. A selectively deployable fastener is coupled to the cap portion by a coupling means and deployable between a stored position and a deployed position. The container portion is configured of a desired color, shape, size or combination thereof to achieve multiple functions and provide an aesthetic, decorative or ornamental feature. The container portion, cap portion, deployable fastener and coupling means are selectively fabricated from a material capable of withstanding a minimum temperature of about 180° F.

Related U.S. Application Data

(63) Continuation-in-part of application No. 14/552,055, filed on Nov. 24, 2014, which is a continuation-in-part of application No. 14/062,371, filed on Oct. 24, 2013, now abandoned.

(60) Provisional application No. 61/755,175, filed on Jan. 22, 2013, provisional application No. 61/772,592, filed on Mar. 5, 2013, provisional application No. 61/838,690, filed on Jun. 24, 2013, provisional application No. 61/844,678, filed on Jul. 10, 2013, provisional application No. 62/083,728, filed on Nov. 24, 2014.

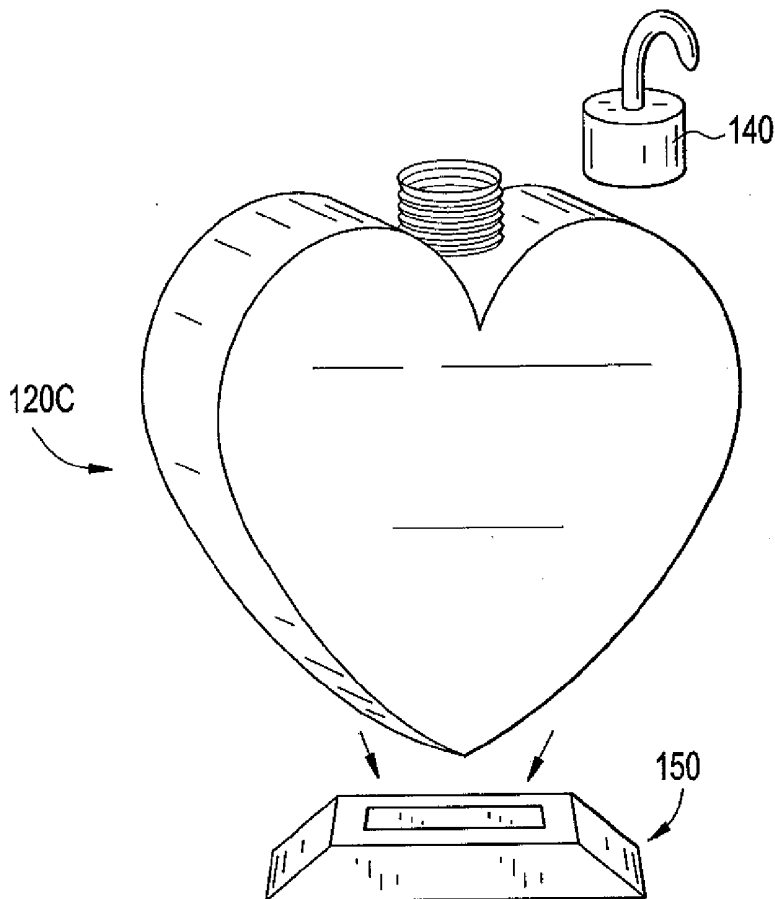


FIG. 1

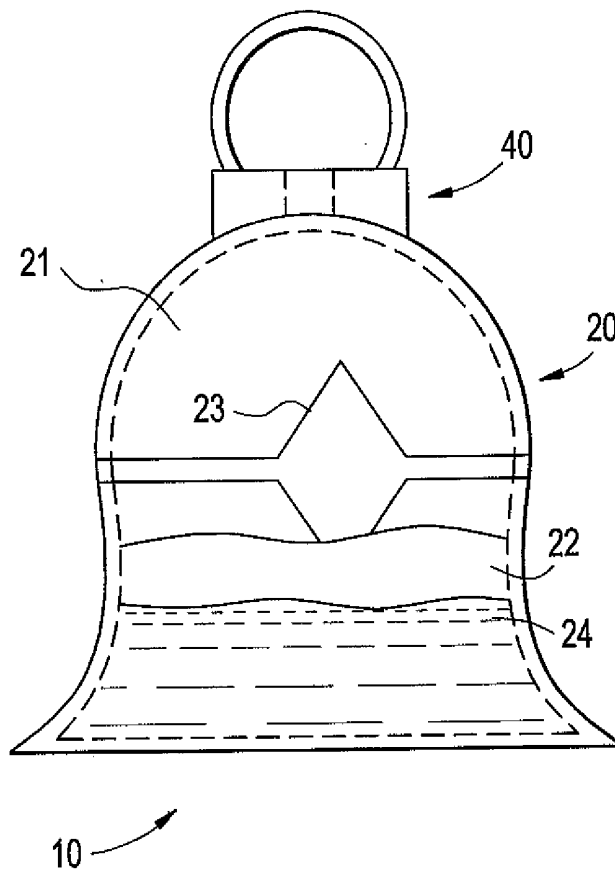


FIG. 2A

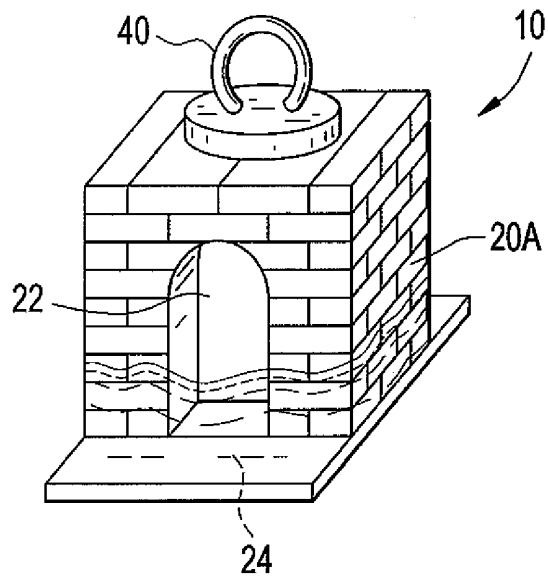


FIG. 2B

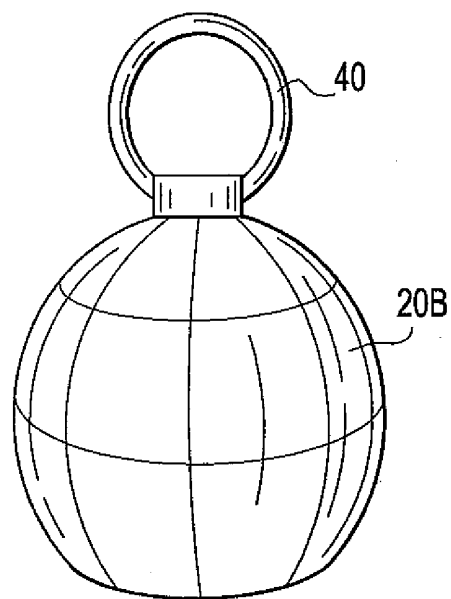


FIG. 2C

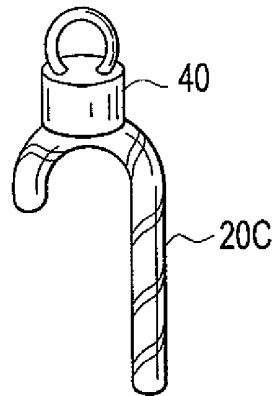


FIG. 2D

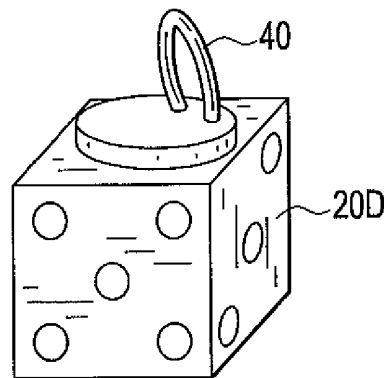


FIG. 2E

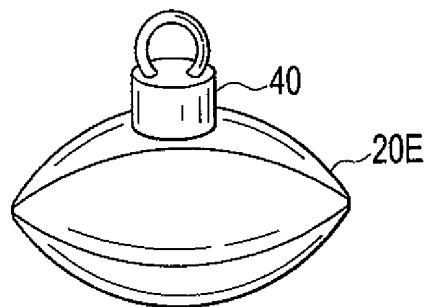


FIG. 3A

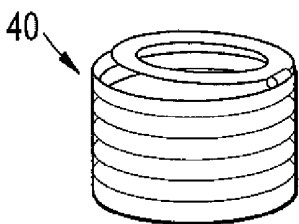


FIG. 3B

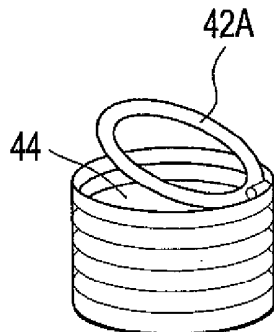


FIG. 3C

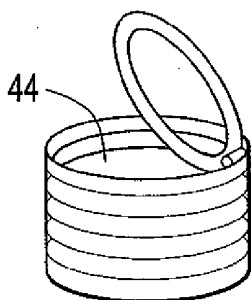


FIG. 3D

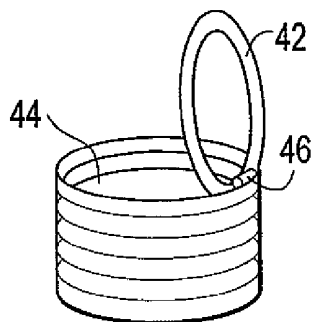


FIG. 3E

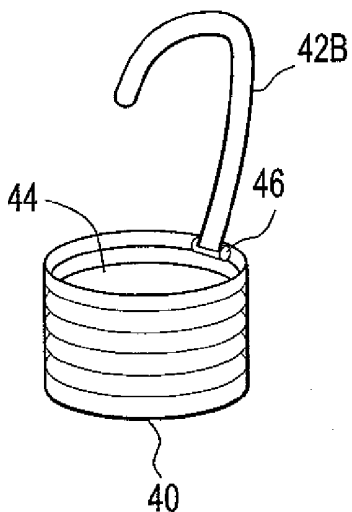


FIG. 3F

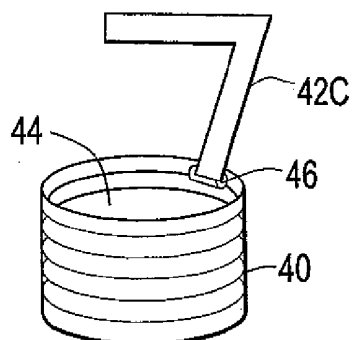


FIG. 4

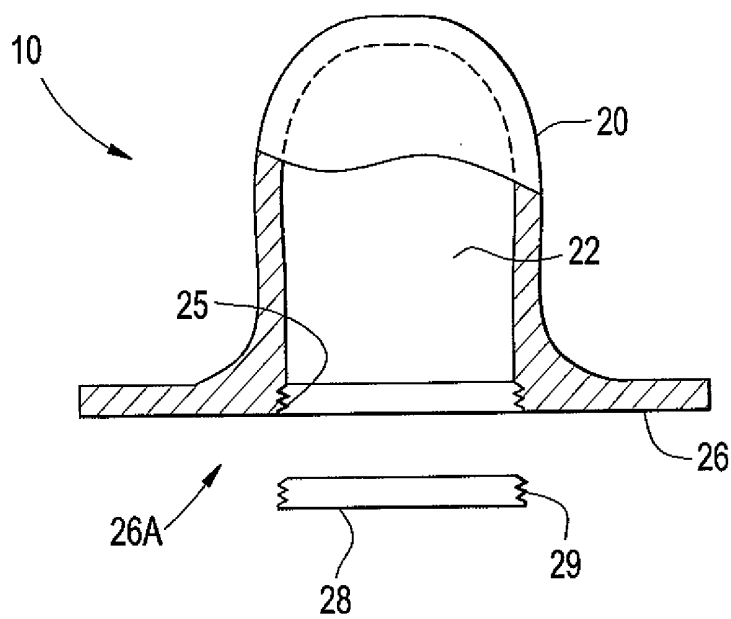


FIG. 5A

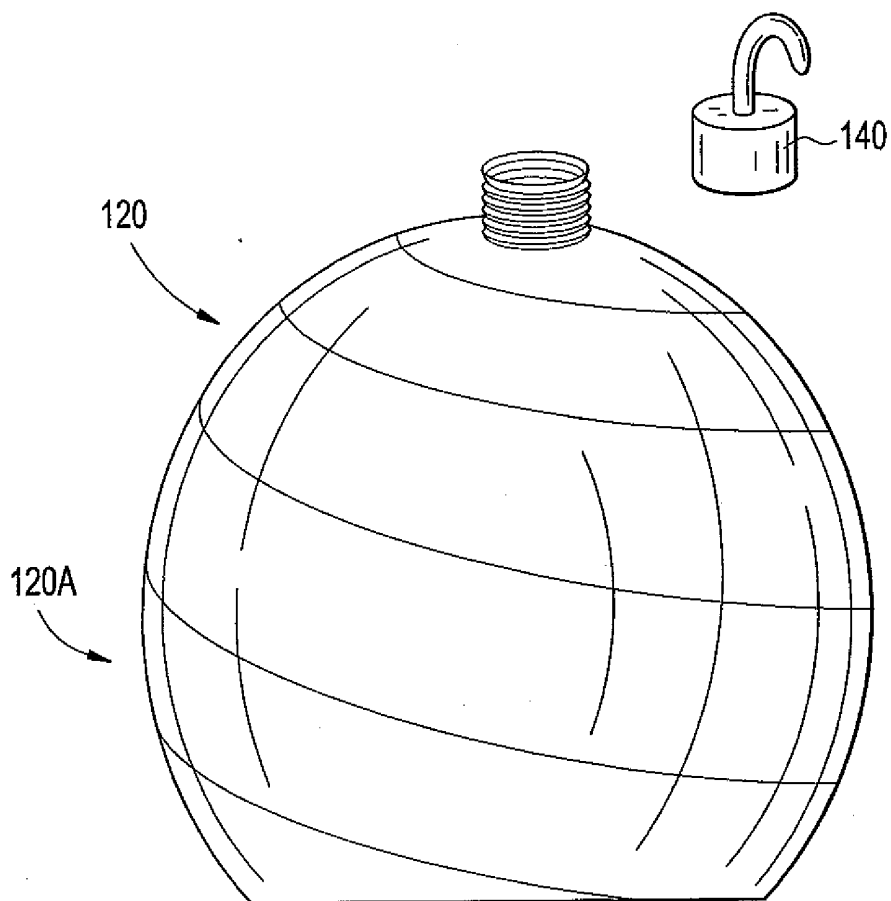


FIG. 5B

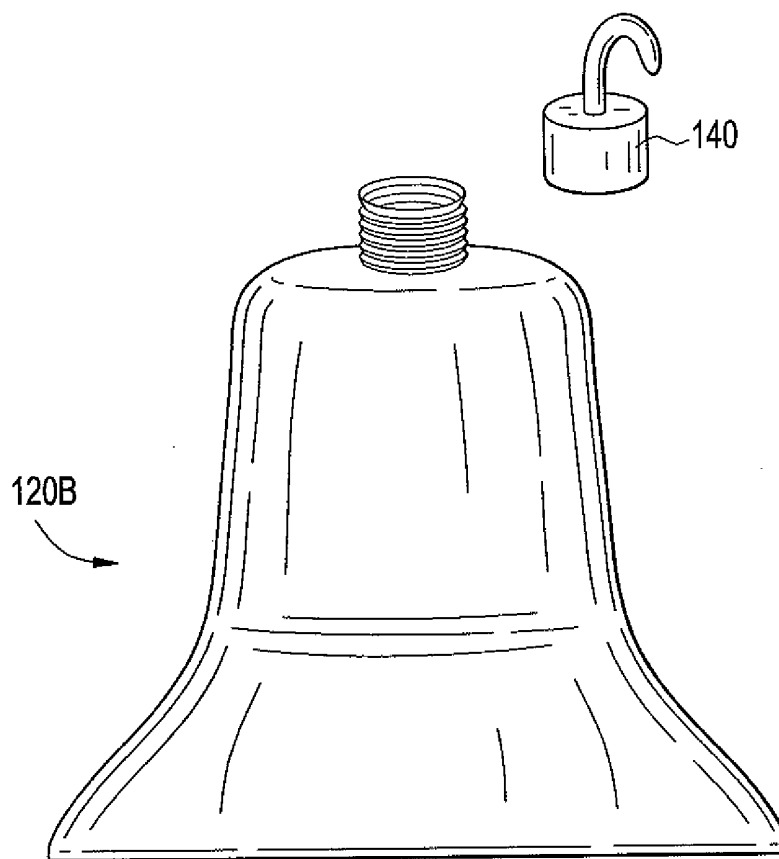


FIG. 5C

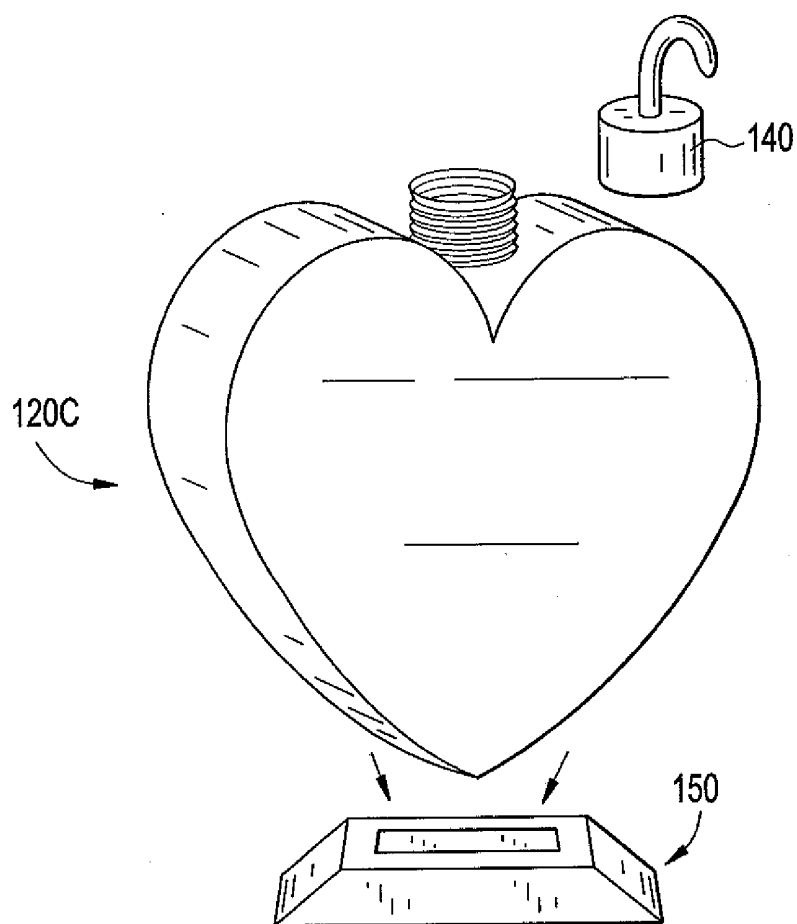


FIG. 5D

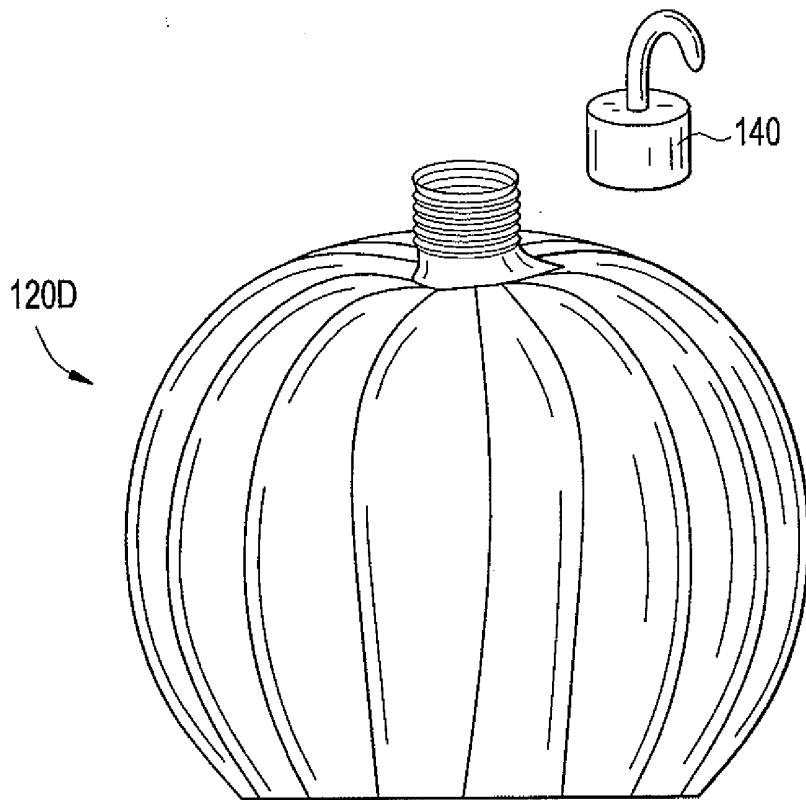
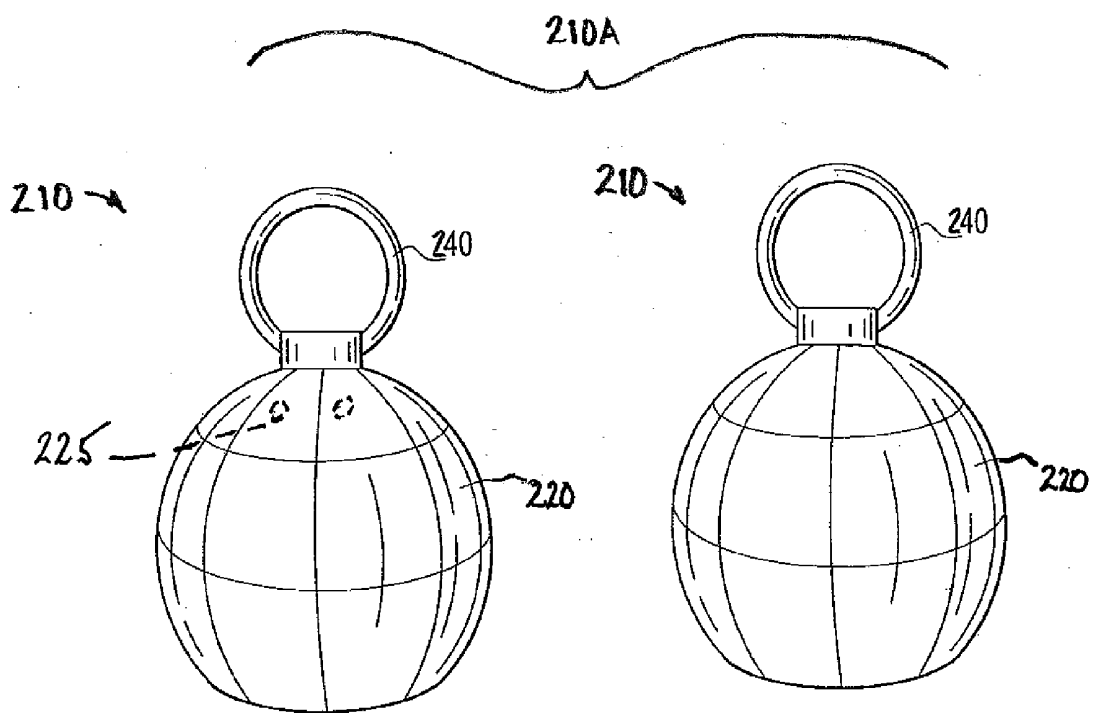


FIG. 6



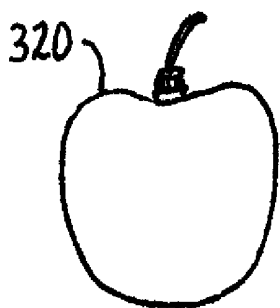


FIG. 7A



FIG. 7B

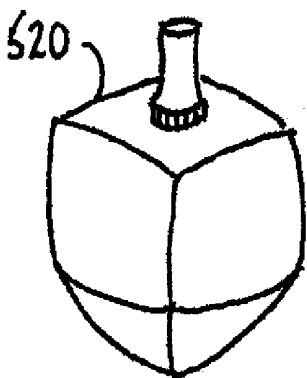


FIG. 7C



FIG. 7D

MULTIPLE PURPOSE CONTAINER AND DECORATIVE ITEM

CROSS REFERENCE TO RELATED APPLICATIONS

[0001] This application is a continuation-in-part of copending U.S. application Ser. No. 14/552,055 filed Nov. 24, 2014, which is incorporated herein by reference in its entirety (Attorney Docket No. 1701-0002-1CIP); which is a continuation-in-part of U.S. application Ser. No. 14/062,371, filed Oct. 24, 2013, which is incorporated herein by reference in its entirety (Attorney Docket No. 1701-0002-1); and which in turn claims priority benefit under 35 U.S.C. §119(e) of then-copending, commonly owned U.S. Provisional Patent Application Ser. Nos. 61/755,175, filed on Jan. 22, 2013 (Attorney Docket No. 1508-0008), 61/777,592, filed on Mar. 12, 2013 (Attorney Docket No. 1508-0009), 61/838,690, filed on Jun. 24, 2013 (Attorney Docket No. 1508-0011), and 61/844,678, filed on Jul. 10, 2013 (Attorney Docket No. 1508-0013). The disclosures of these US patent documents are also incorporated by reference herein in their entireties. This application also claims priority benefit under 35 U.S.C. §119(e) of copending, commonly owned U.S. Provisional Patent Application Ser. No. 62/083,728 filed on Nov. 24, 2014 (Attorney Docket No. 1701-0010).

COPYRIGHT NOTICE

[0002] A portion of the disclosure of this patent document contains material, which is subject to copyright protection. The copyright owner has no objection to the facsimile reproduction by anyone of the patent document or the patent disclosure, as it appears in the United States Patent and Trademark Office files or records, but otherwise reserves all copyright rights whatsoever.

BACKGROUND OF THE INVENTION

[0003] 1. Field of the Invention

[0004] This invention relates generally to a multiple purpose container having a resealable cap such that the container may be displayed as a decorative item on a table, shelf or the like surface. The container includes an interior cavity accessible when the cap is removed. In one embodiment, the cavity is configured to accommodate a product or article of interest therein. In one embodiment, the cap includes a selectively deployable fastener such that the container may be displayed as a decorative item hung from a surface such as a limb of a tree or plant as an ornament.

[0005] 2. Description of the Related Art

[0006] Concerns grow daily over the storage and treatment of waste products such as, for example, plastic and glass bottles and other containers. So called "green" solutions for handling waste products include recycling, cleaning and reuse, or adapting the waste product to a new use to avoid its disposal within landfills and the like.

[0007] The inventor has recognized that a green solution for certain containers may include making the containers useful for multiple purposes such as, for example, being used as a container for an article or product of interest as well as used as a display or decorative item.

SUMMARY OF THE INVENTION

[0008] The present invention resides in one aspect in a multiple purpose container and decorative item, comprising: a container portion selectively configurable in color, shape and size, and having an interior cavity selectively configured to contain a predetermined volume of a product of interest disposed within the interior cavity, the product of interest includes at least one of a flowable liquid, a cream, a powder, a granule, and a crystal, the container portion selectively fabricated from a material capable of withstanding a minimum temperature of about 180° F.; a cap portion selectively affixed to the container portion, the cap portion configured to seal and unseal the interior cavity and to provide storage of and repeatable access to the product of interest disposed therein, the cap portion selectively fabricated from a material capable of withstanding a minimum temperature of about 180° F.; and a selectively deployable fastener coupled to the cap portion by a coupling means and deployable between a stored position and a deployed position, the deployable fastener and the coupling means selectively fabricated from a material capable of withstanding a minimum temperature of about 180° F.; wherein the container portion is configured of a desired color, shape, and size or a combination thereof to achieve multiple functions to contain the product of interest within the interior cavity and to provide at least one of an aesthetic, decorative and ornamental feature.

[0009] In one aspect of the invention, the container portion and the cap portion are selectively fabricated from one of high-density polyethylene, polyethylene high-density, and Polypropylene; and the deployable fastener and the coupling means are selectively fabricated from one of high-density polyethylene, polyethylene high-density, Polypropylene, a metal and a metal alloy.

[0010] The present invention resides in another aspect in a set of multiple purpose container and decorative items, comprising: a plurality of container portions, each of the plurality of container portions selectively configurable in color, shape and size, and having an interior cavity selectively configured to contain a predetermined volume of a product of interest disposed within the interior cavity, the product of interest includes at least one of a flowable liquid, a cream, a powder, a granule, and a crystal; a plurality of cap portions, each of the plurality of cap portions selectively affixed to a respective one of the plurality of container portions, each of the plurality of cap portions configured to seal and unseal the interior cavity and to provide storage of and repeatable access to the product of interest disposed therein; and a plurality of selectively deployable fasteners, each of the plurality of selectively deployable fasteners coupled to a respective one of the plurality of cap portions by a respective coupling means and deployable between a stored position and a deployed position; the plurality of container portions selectively fabricated from one of high-density polyethylene, polyethylene high-density, and Polypropylene capable of withstanding a minimum temperature of about 180° F.; the plurality of cap portions selectively fabricated from one of high-density polyethylene, polyethylene high-density, and Polypropylene capable of withstanding a minimum temperature of about 180° F.; the plurality of selectively deployable fasteners selectively fabricated from one of high-density polyethylene, polyethylene high-density, Polypropylene, a metal and a metal alloy capable of withstanding a minimum temperature of about 180° F.; and each the coupling means selectively fabricated from one of high-density polyethylene, polyethyl-

ene high-density, Polypropylene, a metal and a metal alloy capable of withstanding a minimum temperature of about 180° F.; wherein the plurality of container portions is configured of a desired color, shape, and size or a combination thereof to achieve multiple functions to contain the product of interest within the interior cavity and to provide at least one of an aesthetic, decorative and ornamental feature.

BRIEF DESCRIPTION OF THE DRAWINGS

[0011] The features and advantages of the present invention will be better understood when the Detailed Description of Embodiments of the Invention given below is considered in conjunction with the figures provided, wherein:

[0012] FIG. 1 is a partial cross sectional view of a multiple purpose container and decorative item according to one embodiment of the present invention;

[0013] FIGS. 2A to 2E illustrate exemplary embodiments of the multiple purpose container and decorative item according to the present invention;

[0014] FIGS. 3A to 3F illustrate exemplary embodiments of a cap portion of the multiple purpose container and decorative item according to the present invention;

[0015] FIG. 4 is a partial cross sectional view of the multiple purpose container and decorative item according to one embodiment of the present invention;

[0016] FIGS. 5A to 5D illustrate exemplary embodiments of the multiple purpose container and decorative item according to the present invention;

[0017] FIG. 6 illustrates an exemplary embodiment of a pair of the multiple purpose container and decorative item according to the present invention; and

[0018] FIG. 7A to 7D illustrate additional exemplary embodiments of the multiple purpose container and decorative item according to the present invention.

[0019] In these figures like structures are assigned like reference numerals, but may not be referenced in the description of all figures.

DETAILED DESCRIPTION OF EMBODIMENTS OF THE INVENTION

[0020] While this invention may be embodied in many forms, there is shown in the drawings and will herein be described in detail one or more preferred embodiments. It should be appreciated that this disclosure is to be considered an exemplification of principles of the invention and is not intended to limit the invention to the illustrated embodiments.

[0021] FIG. 1 shows one embodiment of a multiple purpose container and decorative item 10. The multiple purpose container and decorative item 10 includes a container portion 20 and a cap portion 40. In one embodiment, as shown in FIG. 1, the multiple purpose container and decorative item 10 is configured as a decorative bell that is usable and reusable to contain a product or article of interest and to act as an ornament, as described herein. The container portion 20 may be configured of any desired color, shape, size and/or combinations thereof, to achieve multiple functions such as, for example, to contain within an interior cavity 22 a predetermined volume of a flowable liquid, cream, powder or other product or article of interest 24 therein, as well as to achieve an aesthetic, decorative and/or ornamental function such as to act as a holiday ornament or an ornament and/or decoration for another event or occasion.

[0022] In one exemplary embodiment, the product of interest 24 may be a relatively high quality flowable liquid, powder, granule, crystal, or cream including by way of example and not limitation, a perfume, cologne, cosmetic preparation or the like, or a food stuff including by way of example and not limitation, a maple, pancake and/or other syrup, honey, salt and/or pepper, herb and/or seasoning, or the like, or a combination thereof. In one embodiment, the flowable liquid, powder or cream may be a relatively inexpensive household item such as, for example, liquid soap, shampoo, baby powder, hand cream or the like. It should be appreciated that in one embodiment, the multiple purpose container and decorative item 10, including the container portion 20 and the cap portion 40, may be distributed without a product or article of interest disposed in the interior cavity 22. As such, the container portion 20 would be useful as a general purpose storage container that is fillable and refillable by a user thereof. As shown in FIGS. 2A to 2E, exemplary embodiments of the container portion 20 may be configured as a fireplace 20A (FIG. 2A), a globe 20B (FIG. 2B), a candy cane 20C (FIG. 2C), a die 20D (FIG. 2D), a ball 20E (FIG. 2E) such as a football, baseball, basketball, soccer ball, golf ball or the like. In one embodiment, the container portion 20 may be comprised of, for example, plastic or other polymer, glass, paper, and the like.

[0023] Referring back to FIG. 1, in one embodiment the container portion 20 may be comprised of one or more colored, treated and/or textured surfaces to achieve a preferred aesthetic, decorative and/or ornamental appearance. In one embodiment, an exterior surface 21 of the container portion 20 may include decorative indicia 23 painted or otherwise applied to the exterior surface 21 to achieve a decorative or festive effect. In one embodiment, decorative indicia 23 comprises a surface upon which a consumer may write, using a standard writing instrument, a desired message, note, and/or image, or the like. In one embodiment, the surface 21 may be wrapped in a film or the like, to achieve the decorative or festive effect. It should be appreciated that in addition to the above, the container portion 20 may be configured in a desired color (e.g., red, green, blue, silver), treatment (e.g., matte, gloss or polish), texture, shape, size and/or combinations thereof such as, for example, an item of scenery such as a fireplace, holiday scene (e.g., snowman, holiday carolers), as well as a figurine depicting a fictional or real person, a character, an animal (e.g., a domesticated animal or pet like a dog, cat, bunny, or the like, or a wild animal like a lion, a monkey, an elephant or the like), a tree, plant, a waterfall, or the like, or a structure of interest such as a cabin, a house, bridge, or other architectural components or features such as a statue, fountain, or monument.

[0024] As shown in FIGS. 1, 2A to 2E and 3A to 3F, the cap portion 40 is selectively affixed to the container portion 20 to open and close the interior cavity 22 of the container portion 20 as may be desired to provide access to the interior cavity 22 and the volume of the flowable liquid, cream, powder, granule, crystal, or other product of interest 24 stored within the container portion 20. In one embodiment, the cap portion 40 includes internal female threads to receive mating male threads disposed on an exterior of the container portion 20 (e.g., FIG. 5A, described below) such that the cap portion 40 is removable to seal and unseal the interior cavity 22 of the container portion 20. It should be appreciated that it is also within the scope of the present invention to selectively open and close the interior cavity 22 with the cap portion 40 by

means of a conventional “snap closing” or “flip top” arrangement such as, for example, a plug or plugs configured to open and close one or more openings in the container portion 20. As shown in FIGS. 3A to 3F, the cap portion 40 includes a selectively deployable fastener 42. In one embodiment the selectively deployable fastener 42 includes a ring 42A (as best illustrated in FIGS. 3B and 3D), a hook 42B (FIG. 3E), or arm member 42C (FIG. 3F). The selectively deployable fastener 42 is rotatably coupled to the cap portion 40 by coupling means 46, for example, a hinge or a shaft, rod or protrusion inserted in an opening and rotatable about an axis between a closed or stored position (FIG. 3A) and an open or deployed position (FIGS. 3D, 3E, 3F). In one embodiment, as shown in FIGS. 3A and 3B, when in the closed or stored position, the selectively deployable fastener 42 may be disposed in a recess 44 in a surface of the cap portion 40.

[0025] In accordance with one embodiment of the present invention, the deployable fastener 42 and the coupling means 46 cooperate such that the fastener 42 freely rotates for selective storage and deployment. In one embodiment, the fastener 42 is fixedly positioned in the deployed position. It should also be appreciated that the deployable fastener 42 and the coupling means 46 are constructed of relatively sufficient material to permit not only repeated, free rotation between the closed and open positions but also allow the deployable fastener 42 and coupling means 46 to accommodate a weight of the container portion 20 and the cap portion 40. As such, the multiple purpose container and decorative item 10 can be repeatedly hung from a limb of a tree or the like when the container portion 20 is fully loaded with the volume of the product of interest 24, when the container portion 20 is fully empty of the volume, and volumes between the fully loaded and fully empty conditions.

[0026] In one embodiment, the multiple purpose container and decorative item 10, including any portion thereof such as for example the container portion 20 and the cap portion 40, is selectively fabricated from high temperature, food safe plastic such as, for example, high-density polyethylene (“HDPE”), polyethylene high-density (“PEHD”), Polypropylene (“PP”) or the like capable of withstanding a minimum temperature of about one hundred eighty degrees Fahrenheit (180° F.). In such an embodiment, the product of interest 24, such as, for example, a relatively pure maple syrup, will exhibit a suitable shelf life. As should be appreciated, this relatively high temperature plastic allows the container portion 20 to be cleaned (e.g., washed) for reuse to contain a food product or similar uses such as “green” uses. In another embodiment, the deployable fastener 42 and the coupling means 46 similarly are selectively fabricated from a material capable of withstanding a minimum temperature of about 180° F. such as, for example, HDPE, PEHD, PP, a metal or metal alloy, or the like.

[0027] As can be appreciated, in a first mode of operation or use, the container portion 20 and the cap portion 40 cooperate to provide storage and repeatable access to the flowable liquid, cream, powder or other product of interest 24 stored within the interior cavity 22 of the container portion 20. In this first mode of operation, the container portion 20 and the cap portion 40 also cooperate to provide a function of a decorative item that can be displayed on a surface such as, for example, a table, desk, shelf or the like, or, by selectively deploying the deployable fastener 42, hung from a surface such as, for example, a branch of a tree, plant or the like. As such, the container portion 20 and the cap portion 40 cooperate to

provide the described multiple purpose container and decorative item 10. Similarly, in a second mode of operation or use, when the flowable liquid, cream, powder, granule, crystal, or other product of interest 24 is exhausted, rather than discarding the container portion 20 and the cap portion 40, the aesthetic, decorative and/or ornamental nature of the multiple purpose container and decorative item 10 is still functional, such that the multiple purpose container and decorative item 10 is still useful and is not discarded. Since the multiple purpose container and decorative item 10 remains useful, it does not become a waste product bound for a landfill.

[0028] In one embodiment, illustrated in FIG. 4, a portion 26A of a surface 26 of the container portion 20 is selectively removable by, for example, being comprised of a base 28 having external threads 29 that are received by threads 25 within walls of the container portion 20. In this embodiment, removal of the base 28 from the container portion 20 provides access to the interior cavity 22 and the product of interest 24 stored therein. In one embodiment, the product of interest 24 may include candy such as, for example, candy, jelly beans, and the like, as well as small games, costume jewelry or other articles of amusements for children, adults, pets and the like.

[0029] As shown in FIGS. 5A to 5D, exemplary embodiments of a container portion 120 (similar to the container portion 20) configured as a decorative ball 120A (FIG. 5A), a bell 120B (FIG. 5B), a heart shape 120C including a stand 150 (FIG. 5C), a pumpkin 120D (FIG. 5D), or a miniature tree. In one embodiment, as with the container portion 20, the container portion 120 may be comprised of, for example, one or more colored, treated and/or textured surfaces to achieve a preferred aesthetic, decorative and/or ornamental appearance. For example, it should be appreciated that in addition to the above, the container portion 120 may be configured in a desired color (e.g., red, green, blue, silver), treatment (e.g., matte, gloss or polish), texture, shape, size and/or combinations thereof such as, for example, an item of scenery such as a fireplace, holiday scene (e.g., snowman, holiday carolers), as well as a figurine depicting a fictional or real person, a character, an animal (e.g., a domesticated animal or pet like a dog, cat, bunny, or the like, or a wild animal like a lion, a monkey, an elephant or the like), a tree, plant, a waterfall, or the like, or a structure of interest such as a cabin, a house, bridge, or other architectural components or features such as a statue, fountain, or monument.

[0030] In one embodiment and as shown in FIG. 6, a set 210A of multiple purpose container and decorative items 210 is provided wherein each respective multiple purpose container and decorative items 210 includes a container portion 220 and a cap portion 240 as described above with reference to container portion 20 and a cap portion 40. In one embodiment, the container portion 220 may be comprised of, for example, plastic or other polymer, glass, paper, and the like. In one embodiment, the set 210A of multiple purpose container and decorative items 210 is configured to contain and dispense fluid food additives or flavorings such as, for example, flavored syrups or other fluid toppings. In one embodiment, the set 210A of multiple purpose container and decorative items 210 is configured to contain and dispense particulate food additives or spices such as, for example, salt and pepper. As illustrated in dashed lines FIG. 6, a plurality of apertures 225 in the container portion 220 accommodate the dispensing of the particulate food additives from the container portion 220. Moreover, alternative embodiments of the multiple purpose container and decorative items 210 of the set

210A may include any or all of the features described hereinabove with respect to the multiple purpose container and decorative items **10**. For example, in one embodiment, the multiple purpose container and decorative items **210** of the set **210A** comprises the decorative indicia **23** (FIG. 1) that comprises a surface upon which a consumer may write a desired message, note, and/or image, or the like. Such a personalized set **210A** may be offered for use in cooperation with other items or offers such as, for example, accompanying a merchant's gift certificate (i.e., a gift card). While two multiple purpose container and decorative items **210** have been shown and described as a set of multiple purpose container and decorative items **210A**, the present invention is not limited in this regard as more than two multiple purpose container and decorative items **210** can be combined as a set of multiple purpose container and decorative items **210A** without departing from the broader aspects of the present invention.

[0031] As described above with reference to FIG. 1, the container portion **20** may be configured of any desired color, shape, size and/or combinations thereof, to achieve multiple functions such as, for example, to contain within an interior cavity **22** a predetermined volume of a flowable liquid, cream, powder or other product or article of interest **24** therein, as well as to achieve an aesthetic, decorative and/or ornamental function such as to act as a holiday ornament or an ornament and/or decoration for another event or occasion. Additional exemplary embodiments of the container portion are shown in FIGS. 7A to 7D. In one embodiment, the container portion **20** is configured in a shape of an edible item such as for example, a fruit or vegetable. As shown in FIG. 7A, a container portion **320** is configured in the shape of an apple. In other embodiments, container portion **320** may be configured in a shape of, for example, an orange, a peach, a plum, a lemon, a lime, a potato (including sweet and regular), and the like.

[0032] In one embodiment, the container portion **20** is configured in a shape of a storage item or vessel. As shown in FIG. 7B, a container portion **420** is configured in the shape of a barrel. In other embodiments, container portion **420** may be configured in a shape of, for example, a cask, a keg and the like.

[0033] In one embodiment, the container portion **20** is configured in a shape of a game piece or toy. As shown in FIG. 7C, a container portion **520** is configured in the shape of a dreidel. In other embodiments, container portion **520** may be configured in a shape of, for example, a die (i.e., one of a pair of dice), a spinnable top, a hat, a toy car, and the like.

[0034] In one embodiment, the container portion **20** is configured in a shape of a sporting goods item or a sports memorabilia item. As shown in FIG. 7D, a container portion **620** is configured in the shape of a bowling ball. In other embodiments, container portion **620** may be configured in a shape of, for example, a tennis ball, a golf ball, a helmet, and the like.

[0035] One or more embodiments of the present invention have been described. Nevertheless, it will be understood that various modifications may be made without departing from the spirit and scope of the invention. For example, many construction techniques and materials may be utilized. Accordingly, other embodiments are within the scope of the following claims.

What is claimed is:

1. A multiple purpose container and decorative item, comprising:

a container portion selectively configurable in color, shape and size, and having an interior cavity selectively configured to contain a predetermined volume of a product of interest disposed within the interior cavity, the product of interest includes at least one of a flowable liquid, a cream, a powder, a granule, and a crystal, the container portion selectively fabricated from a material capable of withstanding a minimum temperature of about 180° F.;

a cap portion selectively affixed to the container portion, the cap portion configured to seal and unseal the interior cavity and to provide storage of and repeatable access to the product of interest disposed therein, the cap portion selectively fabricated from a material capable of withstanding a minimum temperature of about 180° F.;

and a selectively deployable fastener coupled to the cap portion by a coupling means and deployable between a stored position and a deployed position, the deployable fastener and the coupling means selectively fabricated from a material capable of withstanding a minimum temperature of about 180° F.;

wherein the container portion is configured of a desired color, shape, and size or a combination thereof to achieve multiple functions to contain the product of interest within the interior cavity and to provide at least one of an aesthetic, decorative and ornamental feature.

2. The multiple purpose container and decorative item of claim 1, wherein the product of interest is one of a liquid, a cream, a powder, a granule, or a crystal.

3. The multiple purpose container and decorative item of claim 1, wherein the product of interest is one of a relatively high quality perfume, cologne, and cosmetic preparation.

4. The multiple purpose container and decorative item of claim 1, wherein the product of interest is a food stuff such as a maple, pancake or other syrup, honey, salt, pepper, herb or seasoning, or combination thereof.

5. The multiple purpose container and decorative item of claim 1, wherein when the fastener is in the deployed position the container portion may be hung from a surface.

6. The multiple purpose container and decorative item of claim 5, wherein the coupling means comprises a hinge rotatable about an axis between the stored position and the deployed position.

7. The multiple purpose container and decorative item of claim 6, wherein when in the stored position, the selectively deployable fastener is disposed in a recess in a surface of the cap portion.

8. The multiple purpose container and decorative item of claim 5, wherein when in the deployed position, the selectively deployable fastener allows the multiple purpose container and decorative item to be hung from a branch of a tree.

9. The multiple purpose container and decorative item of claim 5, wherein the selectively deployable fastener includes at least one of a ring, a hook and an arm member.

10. The multiple purpose container and decorative item of claim 1, wherein the container portion is comprised of one or more colored, treated and textured surfaces to achieve the at least one of an aesthetic, decorative and ornamental feature.

11. The multiple purpose container and decorative item of claim 1, wherein the container portion is configured as one of an item of scenery or a structure of interest.

12. The multiple purpose container and decorative item of claim 11, wherein the item of scenery is one of a fireplace, holiday scene, a figurine depicting a fictional or real person, a character, an animal, a tree, a plant, and a waterfall.

13. The multiple purpose container and decorative item of claim 11, wherein the structure of interest is one of a cabin, a house, a bridge, a statue, a fountain or a monument.

14. The multiple purpose container and decorative item of claim 1, wherein the container portion is configured as one of a fruit or vegetable.

15. The multiple purpose container and decorative item of claim 1, wherein the container portion is configured as one of a storage item or vessel.

16. The multiple purpose container and decorative item of claim 1, wherein the container portion is configured as one of a game piece or toy.

17. The multiple purpose container and decorative item of claim 1, wherein the container portion further includes a base portion having a base plate selectively attachable to the base portion to selectively seal and unseal the interior cavity.

18. The multiple purpose container and decorative item of claim 1, wherein the container portion further includes an exterior surface and decorative indicia is applied to the exterior surface to achieve the at least one of an aesthetic, decorative and ornamental feature.

19. The multiple purpose container and decorative item of claim 13, further including a film configured to be wrapped about the exterior surface, the decorative indicia being applied to the film to achieve the at least one of an aesthetic, decorative and ornamental feature.

20. A set of multiple purpose container and decorative items, comprising:

a plurality of container portions, each of the plurality of container portions selectively configurable in color, shape and size, and having an interior cavity selectively configured to contain a predetermined volume of a product of interest disposed within the interior cavity, the product of interest includes at least one of a flowable liquid, a cream, a powder, a granule, and a crystal;

a plurality of cap portions, each of the plurality of cap portions selectively affixed to a respective one of the plurality of container portions, each of the plurality of cap portions configured to seal and unseal the interior cavity and to provide storage of and repeatable access to the product of interest disposed therein; and

a plurality of selectively deployable fasteners, each of the plurality of selectively deployable fasteners coupled to a respective one of the plurality of cap portions by a respective coupling means and deployable between a stored position and a deployed position;

the plurality of container portions selectively fabricated from one of high-density polyethylene, polyethylene high-density, and Polypropylene capable of withstanding a minimum temperature of about 180° F.;

the plurality of cap portions selectively fabricated from one of high-density polyethylene, polyethylene high-density, and Polypropylene capable of withstanding a minimum temperature of about 180° F.;

the plurality of selectively deployable fasteners selectively fabricated from one of high-density polyethylene, polyethylene high-density, Polypropylene, a metal and a metal alloy capable of withstanding a minimum temperature of about 180° F.; and

each the coupling means selectively fabricated from one of high-density polyethylene, polyethylene high-density, Polypropylene, a metal and a metal alloy capable of withstanding a minimum temperature of about 180° F.;

wherein the plurality of container portions is configured of a desired color, shape, and size or a combination thereof to achieve multiple functions to contain the product of interest within the interior cavity and to provide at least one of an aesthetic, decorative and ornamental feature.

* * * * *